

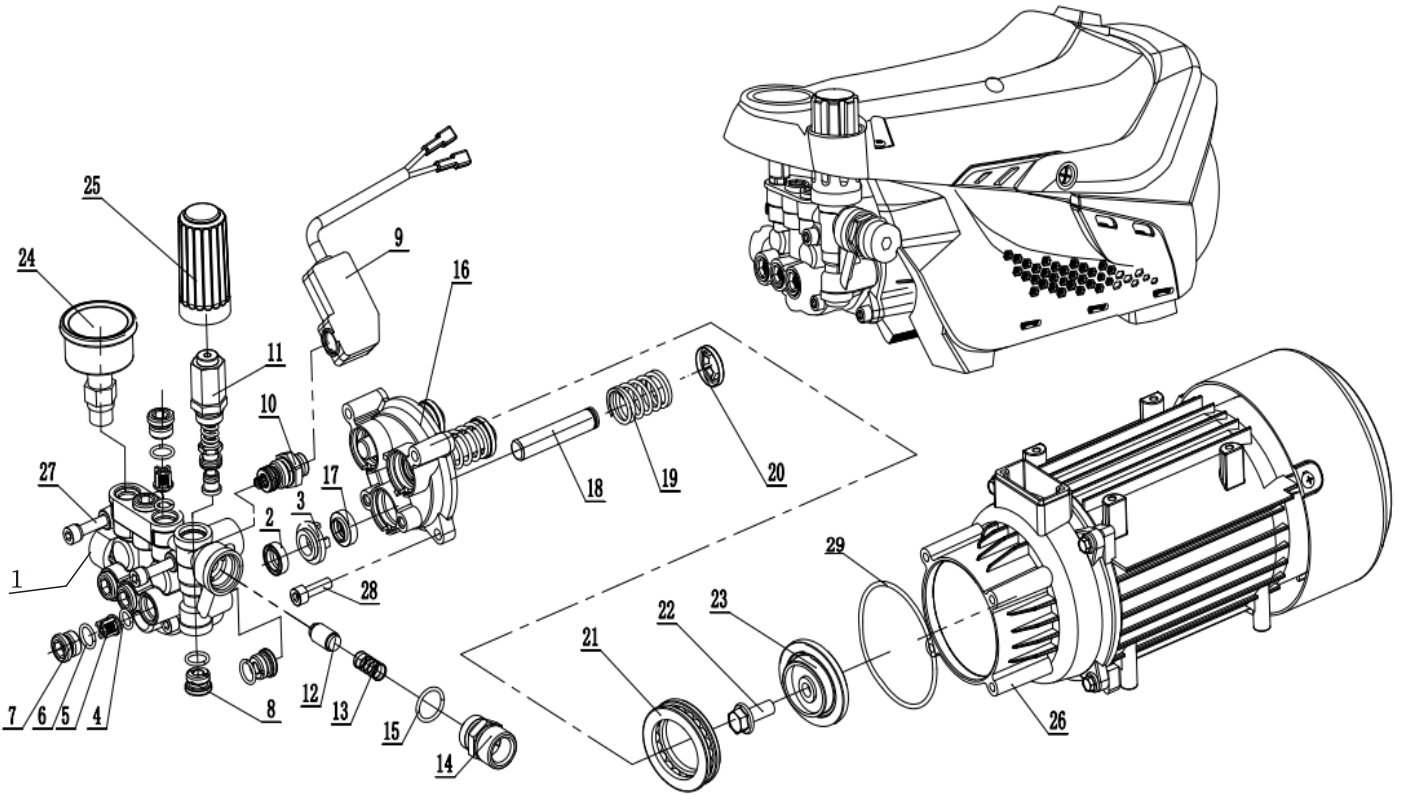


खैतान पावर

کھیتان پاور

KHAITAN POWER

EXPECT THE BEST



Motor pump breakdown diagram

N.O.	Parts name	N.O.	Parts name
1	pump cover	16	Plunger bracket
2	Water seal 12*18*5	17	Reciprocating oil seal 12*20*5/7 NBR
3	seal receptacle	18	Plunger 12*60
4	O-ring 8.5*1.8	19	Plunger spring 2.2*19.8*36.5
5	Inlet and outlet water valve 11.8*11.7	20	spring-leaf retainer
6	O-ring 11.2*1.8	21	Flat thrust ball bearing
7	Inlet and outlet valve dull head	22	Flange bolt M8*20
8	Pressure regulator dull head	23	swash plate
9	Microswitch assembly	24	pressure gage
10	Pressure displacement module	25	Surge cap
11	Pressure regulating spool	26	motor
12	pressure relief valve	27	Hex socket screw M6*65
13	Check valve spring 0.4*9.4*20	28	Hex socket screw M6*20
14	Outlet connector M22X1.5 inside 15	29	O-ring 70*2.5
15	O-ring 17*2		

KP PW1900
PRESSURE WASHER

EXPLOSION VIEW

Professional Series