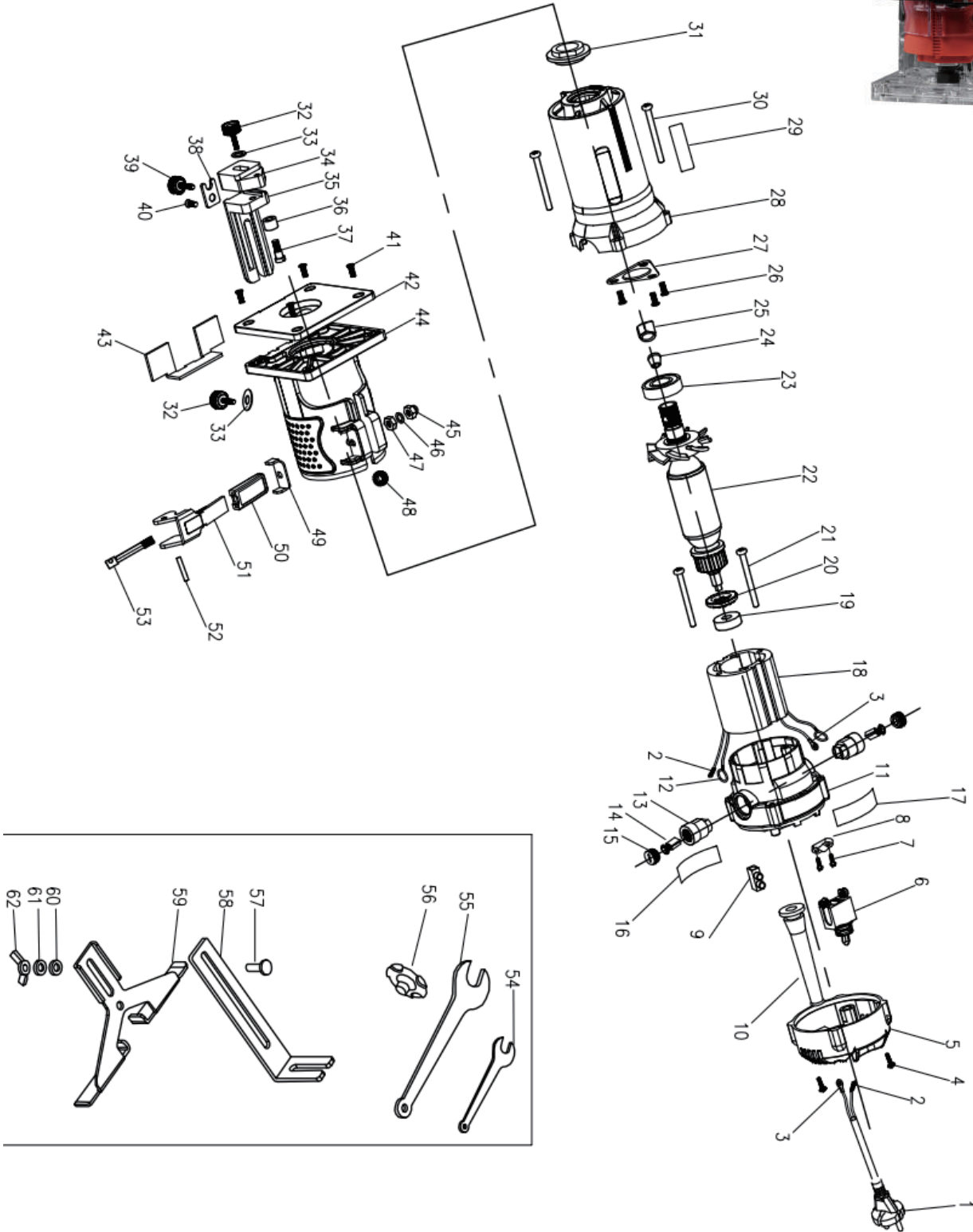




खैतान पावर

کھیتان پاور

KHAIITAN POWER
EXPECT THE BEST



KP WT
WOOD TRIMMER

EXPLOSION VIEW

Professional Series



SPARE PARTS LIST OF KP WT

NO.	PARTS NAME	QTY	NO.	PARTS NAME	QTY
1	CABLE C/W PLUG		52	PIN	
2	TRIANGLE BUCKLE		53	ROD	
3	ROUND BUCKLE		54	SPANNER 12	
4	TAPPING SCREW ST4*16		55	SPANNER 17	
5	REAR COVER		56	GUIDE BUSH	
6	SWITCH		57	NUT M6*12	
7	TAPPING SCREW ST4*12		58	FIXING BRACKET	
8	CABLE CLAMP		59	GUIDE BASE	
9	SWITCH POLE		60	WAVE WASHER	
10	CABLE PROTECTOR		61	WASHER	
11	MIDDLE COVER		62	WING NUT	
12	BRUSH TERMINAL		63		
13	BRUSH HOLDER		64		
14	CARBON BRUSH(2pcs)		65		
15	BRUSH COVER		66		
16	SPECIFICATION LABEL		67		
17	LOGO LABEL		68		
18	STATOR ASSEMBLY		69		
19	BEARING 608		70		
20	DUST RING		71		
21	TAPPING SCREW ST4*65		72		
22	ROTOR ASSEMBLY		73		
23	BEARING 6002		74		
24	COLLECT C/W CLAMP		75		
25	COLLECT C/W CLAMP NUT		76		
26	SLOTTED HEAD SCREW ST4*12		77		
27	BEARING COVER		78		
28	HOUSING		79		
29	DEPTH INDICATOR LABEL		80		
30	TAPPING SCREW ST4*22		81		
31	DUST COVER		82		
32	ADJUSTMENT KNOB A		83		
33	WASHER		84		
34	ADJUSTMENT BLOCK		85		
35	DEPTH ADJUSTMENT BLOCK		86		
36	FIXING POLE		87		
37	NUT M5		88		
38	POSITION BLOCK		89		
39	ADJUSTMENT KNOB B		90		
40	SLOTTED HEAD SCREW M4*10		91		
41	TAPPING SCREW M4*10		92		
42	BASE PLATE		93		
43	FENDER		F101		
44	DUST GUARD		F102		
45	FIXING NUT A		F103		
46	SPRING WASHER		F104		
47	FIXING NUT B		F105		
48	PINION GEAR		F106		
49	FASTENER		F107		
50	RUBBER CASE		F108		
51	PITCH PLATE				