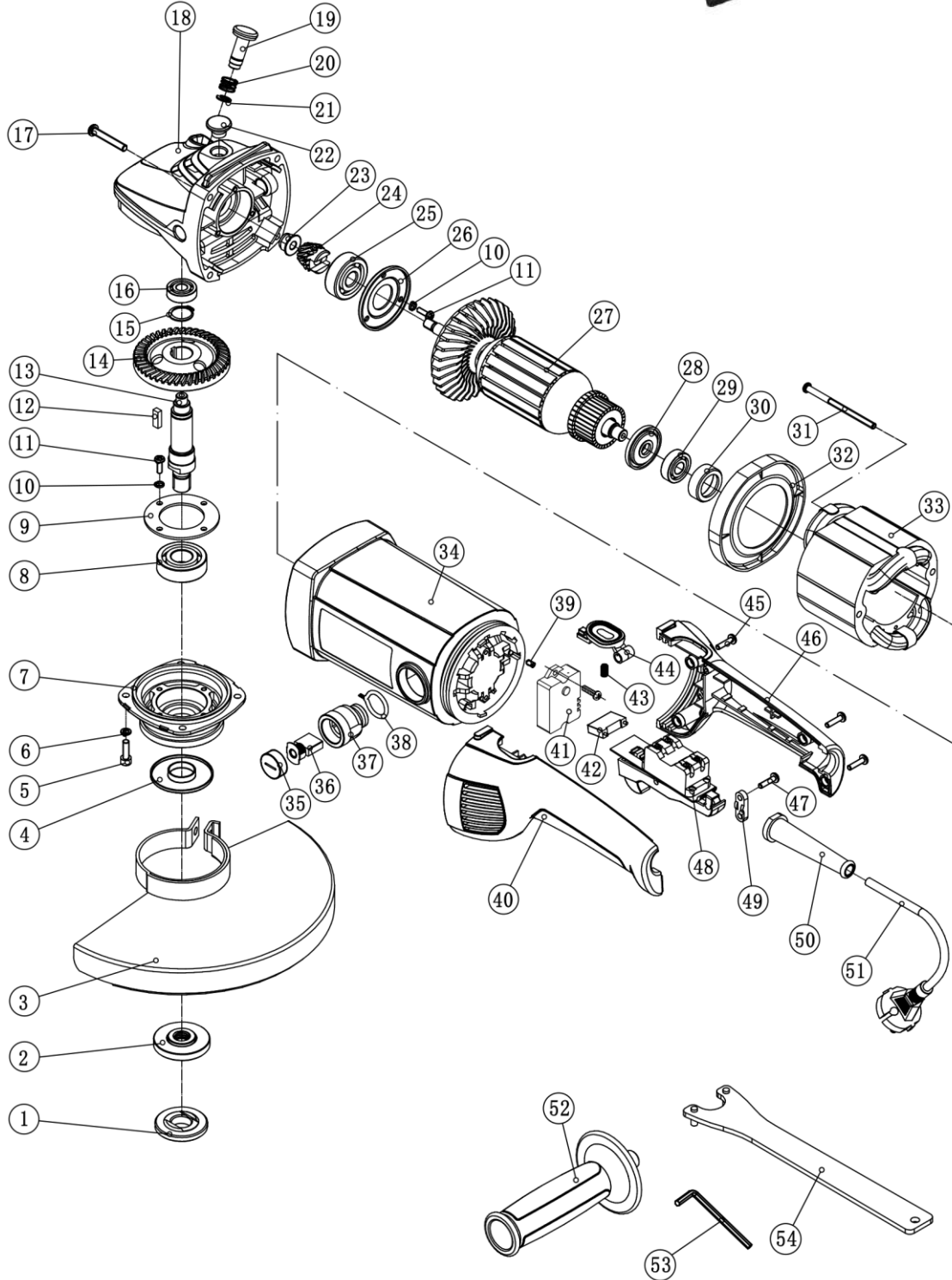




खैतान पावर

کھیتان پاور

**KHAITAN INDUSTRIAL**  
**EXPECT THE BEST**



**KIAG 7 HD**  
**ANGLE GRINDER**

**EXPLOSION VIEW**

**INDUSTRIAL SERIES**

**KHAI TAN INDUSTRIAL**  
**EXPECT THE BEST**

**SPARE PARTS LIST OF KIAG 7 HD**

| NO. | PARTS NAME         | QTY | NO. | PARTS NAME            | QTY |
|-----|--------------------|-----|-----|-----------------------|-----|
| 1   | Outer Flange       | 1   | 28  | Electric Ring         | 1   |
| 2   | Inner Flange       | 1   | 29  | Bearing 6000          | 1   |
| 3   | Protect Guard      | 1   | 30  | 6000 Bearing Sleeve   | 1   |
| 4   | Anti-dust Cover    | 1   | 31  | Screw ST4.8×80        | 2   |
| 5   | Screw M5X16        | 4   | 32  | Wind Guard            | 1   |
| 6   | Spring Washer 5    | 4   | 33  | Stator Assy           | 1   |
| 7   | Front cover        | 1   | 34  | Housing               | 1   |
| 8   | Bearing 6203       | 1   | 35  | Brush Cover           | 2   |
| 9   | Bearing Cover      | 1   | 36  | Carbon Brush          | 2   |
| 10  | Spring Washer 4    | 7   | 37  | Brush Holder          | 2   |
| 11  | Screw M4 X10       | 7   | 38  | Electric Ring         | 2   |
| 12  | Flat key 4×4×20    | 1   | 39  | Hex Fixing Screw M5X8 | 2   |
| 13  | Spindle            | 1   | 40  | Left Handle           | 1   |
| 14  | Wheel Gear         | 1   | 41  | Soft Start            | 1   |
| 15  | Circlip 17         | 1   | 42  | Capacitor             | 1   |
| 16  | Bearing 609        | 1   | 43  | Rotary Handle Spring  | 1   |
| 17  | Screw ST4.8×35     | 4   | 44  | Rotary Handle Button  | 1   |
| 18  | Gear Box           | 1   | 45  | Screw ST4.2X16        | 6   |
| 19  | Spindle Lock       | 1   | 46  | Right Handle          | 1   |
| 20  | Lock Spring        | 1   | 47  | Screw ST4.2X14        | 2   |
| 21  | Circlip 9          | 1   | 48  | Switch                | 1   |
| 22  | Anti-Dust Cap      | 1   | 49  | Cable Clamp           | 1   |
| 23  | Nut M8             | 1   | 50  | Cable Protector       | 1   |
| 24  | Pinion Gear        | 1   | 51  | Cable and Plug        | 1   |
| 25  | Bearing 6301       | 1   | 52  | Side Handle           | 1   |
| 26  | 6301 Bearing Cover | 1   | 53  | Spanner               | 1   |
| 27  | Rotor Assy         | 1   | 54  | Hexagon wrench 6      | 1   |