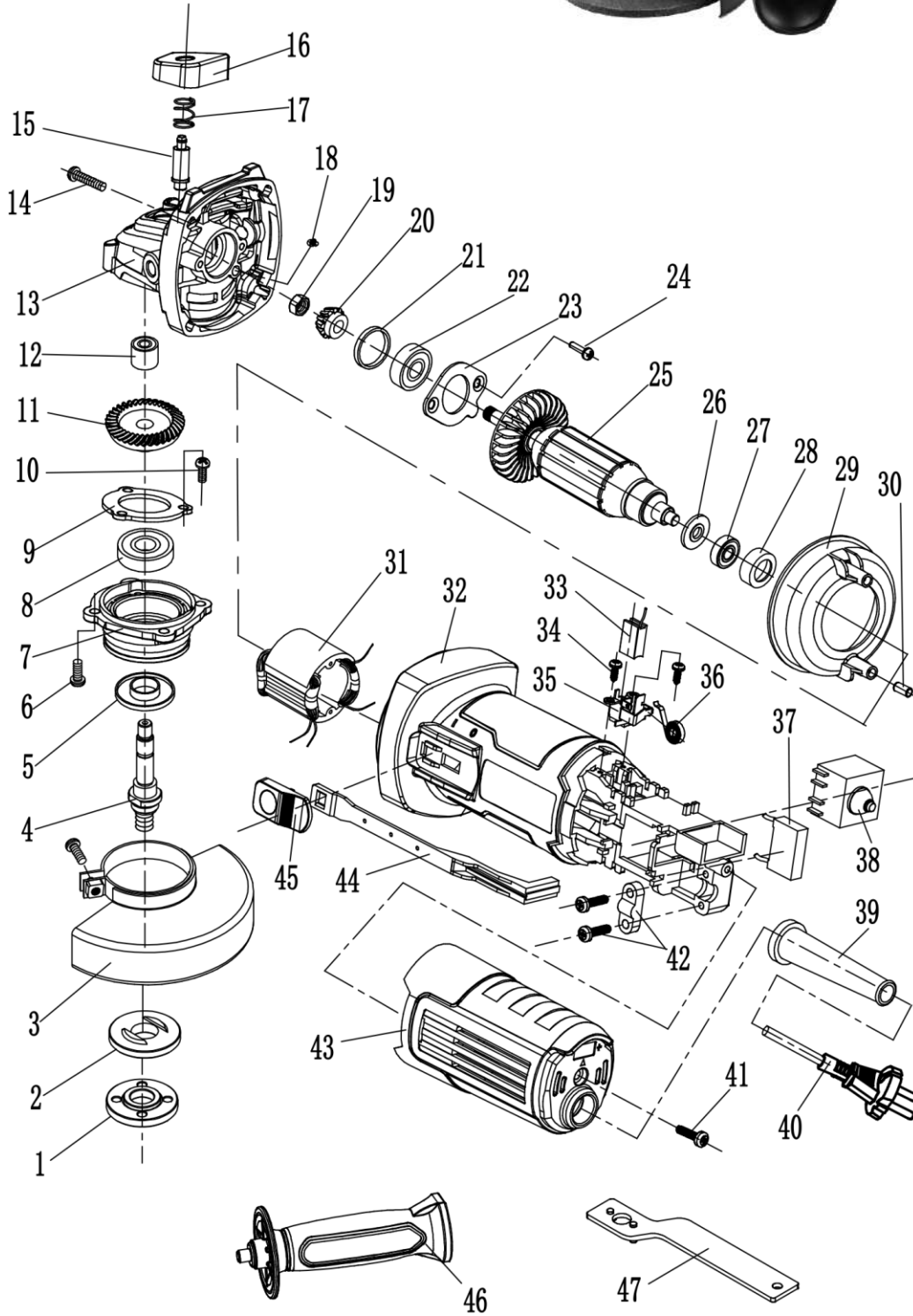




खैतान पावर

کھیتان پاور

KHAITAN INDUSTRIAL
EXPECT THE BEST



KIAG 5 SS
ANGLE GRINDER

EXPLOSION VIEW

INDUSTRIAL SERIES

NO.	PARTS NAME	QYT	NO.	PARTS NAME	QYT
1	Outer Flange	1	26	Electric Ring	1
2	Inner Flange	1	27	Bearing 607	1
3	Protect Guard	1	28	607 Bearing Sleeve	1
4	Spindle	1	29	Windshield	1
5	Anti-dust Cover	1	30	Rubber column	2
6	Screw M4X14	4	31	Stator Assy	1
7	Front Cover	1	32	Housing	1
8	Bearing 6201	1	33	Carbon Brush	2
9	Bearing Cover 6201	1	34	Screw ST3X8	4
10	Screw M4X10	3	35	Brush Holder	2
11	Wheel Gear	1	36	Electric Spring	2
12	Needle bearing	1	37	Capacitor	1
13	Gear Box	1	38	Switch	1
14	Screw ST4.2X22F	4	39	Cable Protector	1
15	Self locking rod	1	40	Cable and Plug	1
16	Self locking cap	1	41	Screw ST4.2X12F	1
17	Lock Spring	1	42	Cable Clamp(Screw ST4X14F)	1
18	Sponge	1	43	Rear Cover	1
19	Screw M6X1	1	44	Pull Rod	1
20	Pinion Gear	1	45	Switch Push Block	1
21	Rectangular circle	1	46	Side Handle	1
22	Bearing 608	1	47	Spanner	1
23	Head Capsule	1			
24	Screw M4X10	2			
25	Rotor Assy	1			