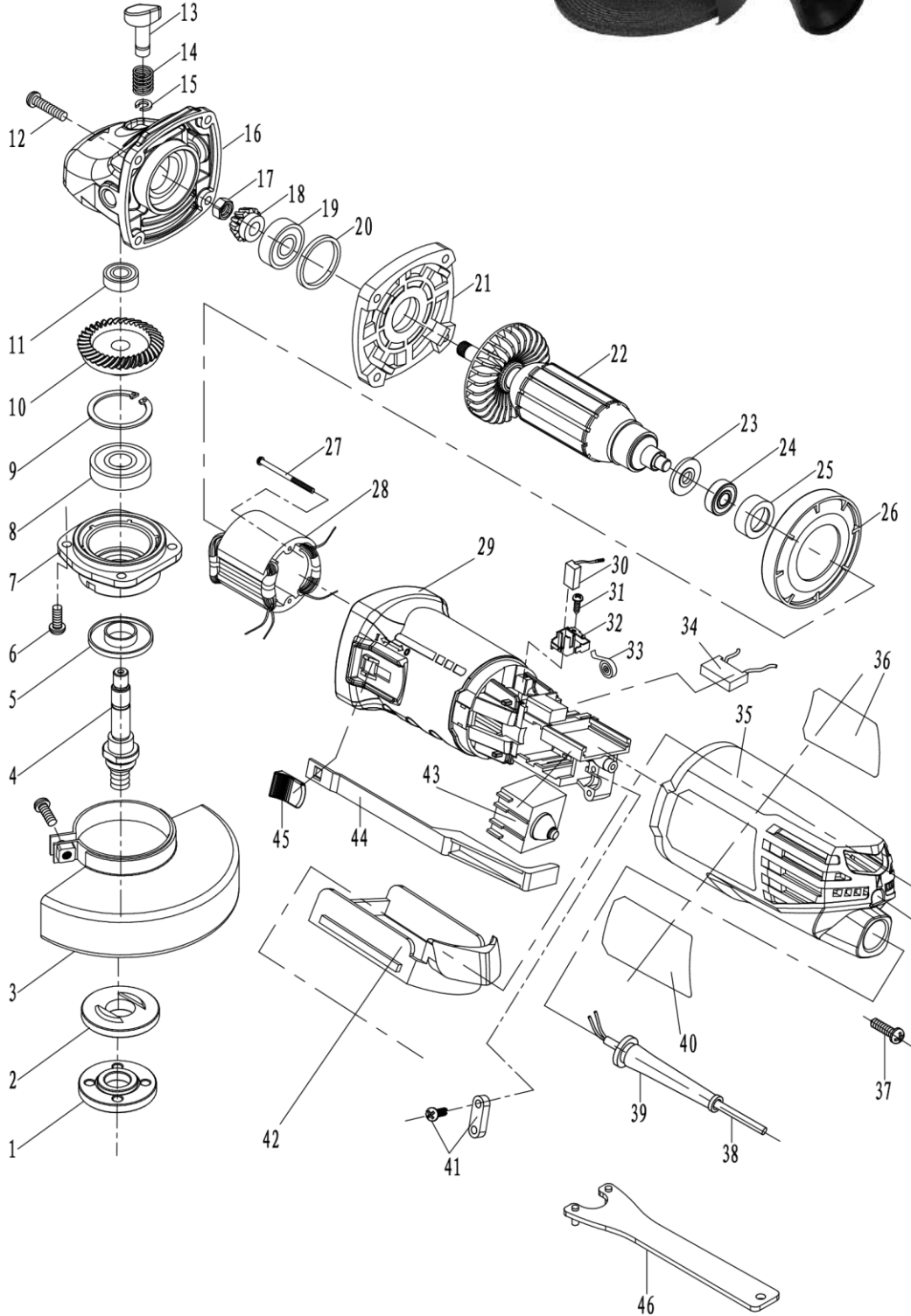




खैतान पावर

کھیتان پاور

KHAITAN INDUSTRIAL
EXPECT THE BEST



KIAG 4 SS
ANGLE GRINDER

EXPLOSION VIEW

INDUSTRIAL SERIES

NO.	DESCRIPTION	PCS	NO.	DESCRIPTION	PCS
1	Outer Flange	1	25	607 Bearing Sleeve	1
2	Inner Flange	1	26	Wind Guard	1
3	Protect Guard	1	27	Screw ST4.2X65F	2
4	Spindle	1	28	Stator Assy	1
5	Anti-dust Cover	1	29	Housing	1
6	Screw M4X14	4	30	Carbon Brush	2
7	Front Cover	1	31	Screw ST3X8F	2
8	Bearing 6201	1	32	Brush Holder	2
9	Circlip 32	1	33	Electric Ring	2
10	Wheel Gear	1	34	Capacitor	1
11	Bearing 696	1	35	Rear Cover	1
12	Screw ST4.2X25F	4	36	Lable	1
13	Spindle Lock	1	37	Screw ST4.2X16F	1
14	Lock Spring	1	38	Cable and Plug	1
15	Circlip 6	1	39	Cable Protector	1
16	Gear Box	1	40	Lable	1
17	Screw M7X1	1	41	Cable Clamp (Screw ST4.2X14F)	1
18	Pinion Gear	1	42	Rear cover notched trim cover	1
19	Bearing 629	1	43	Switch	1
20	O Ring $\Phi 26 \times \Phi 30 \times 2$	1	44	Pull Rod	1
21	Middle Cover	1	45	Switch Push Button	1
22	Rotor Assy	1	46	Spanner	1
23	Anti-dust Ring	1			
24	Bearing 607	1			