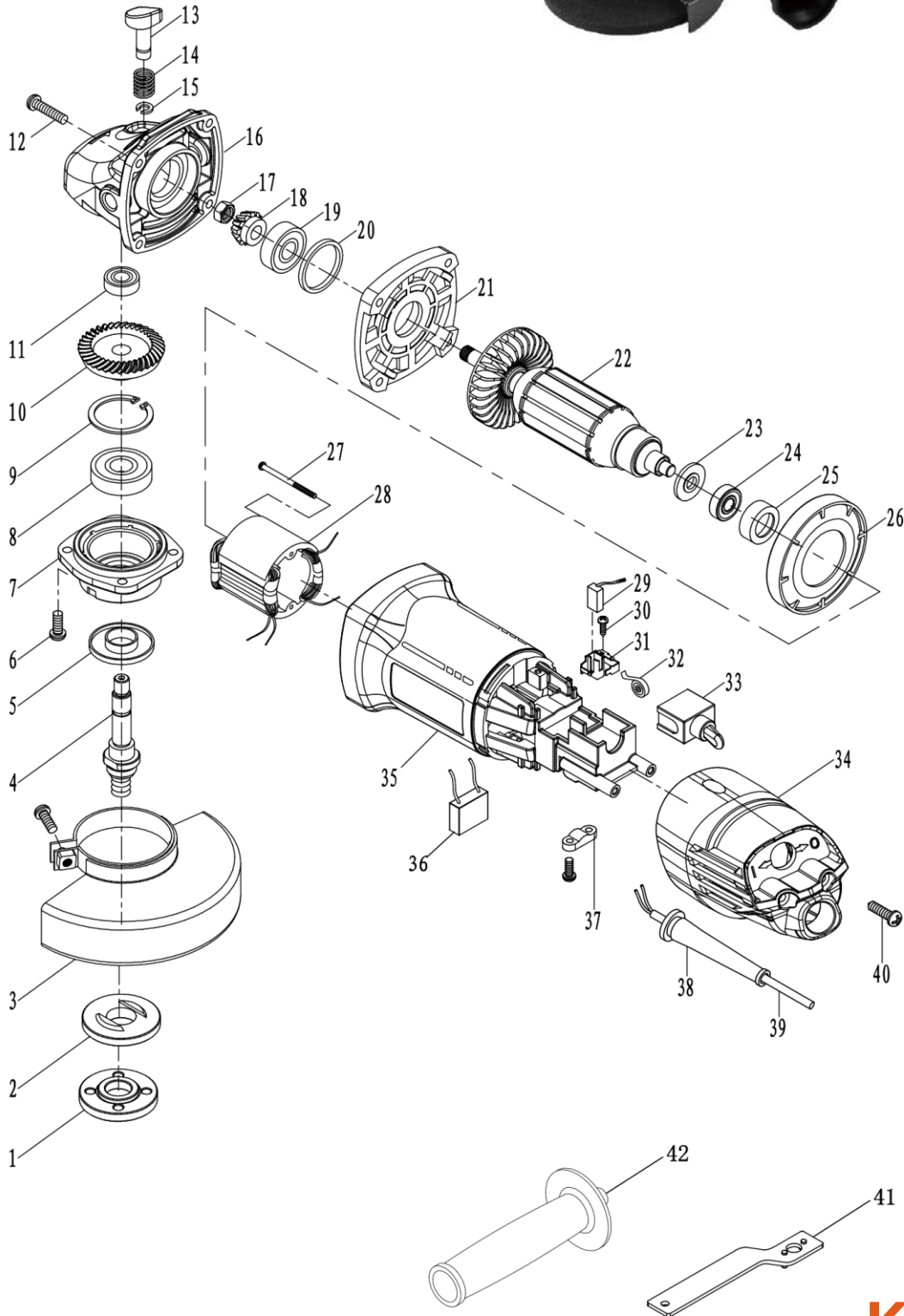




खैतान पावर

کھیتان پاور

KHAITAN INDUSTRIAL
EXPECT THE BEST



KIAG 4
ANGLE GRINDER

EXPLOSION VIEW

INDUSTRIAL SERIES

NO.	PARTS NAME	QYT	NO.	PARTS NAME	QYT
1	Outer Flange	1	26	Wind Guard	1
2	Inner Flange	1	27	Screw ST4.2x65	2
3	Protect Guard	1	28	Stator Assy	1
4	Spindle	1	29	Carbon Brush	2
5	Anti-dust Cover	1	30	Screw ST3x8	2
6	Hex Screw M4x14	4	31	Brush Holder	2
7	Front Cover	1	32	Electric Ring	2
8	Bearing 6201	1	33	Switch	1
9	Circlip ϕ 32	1	34	Rear Cover	1
10	Wheel Gear	1	35	Housing	1
11	Bearing 696	1	36	Capacitor 0.22uf	1
12	Screw ST4.2x25	4	37	Cable Clamp	1
13	Self-locking pin	1	38	Cable Protector	1
14	Lock Spring	1	39	Cable and Plug	1
15	Circlip ϕ 6	1	40	Screw ST4.2x14	4
16	Gear Box	1	41	Spanner	1
17	Fixing Screw M7x1	1	42	Side Handle	1
18	Pinion Gear	1			
19	Bearing 6001	1			
20	O Ring	1			
21	Middle Cover	1			
22	Rotor Assy	1			
23	Anti-dust Ring	1			
24	Bearing 607	1			
25	607 Bearing Cover	1			