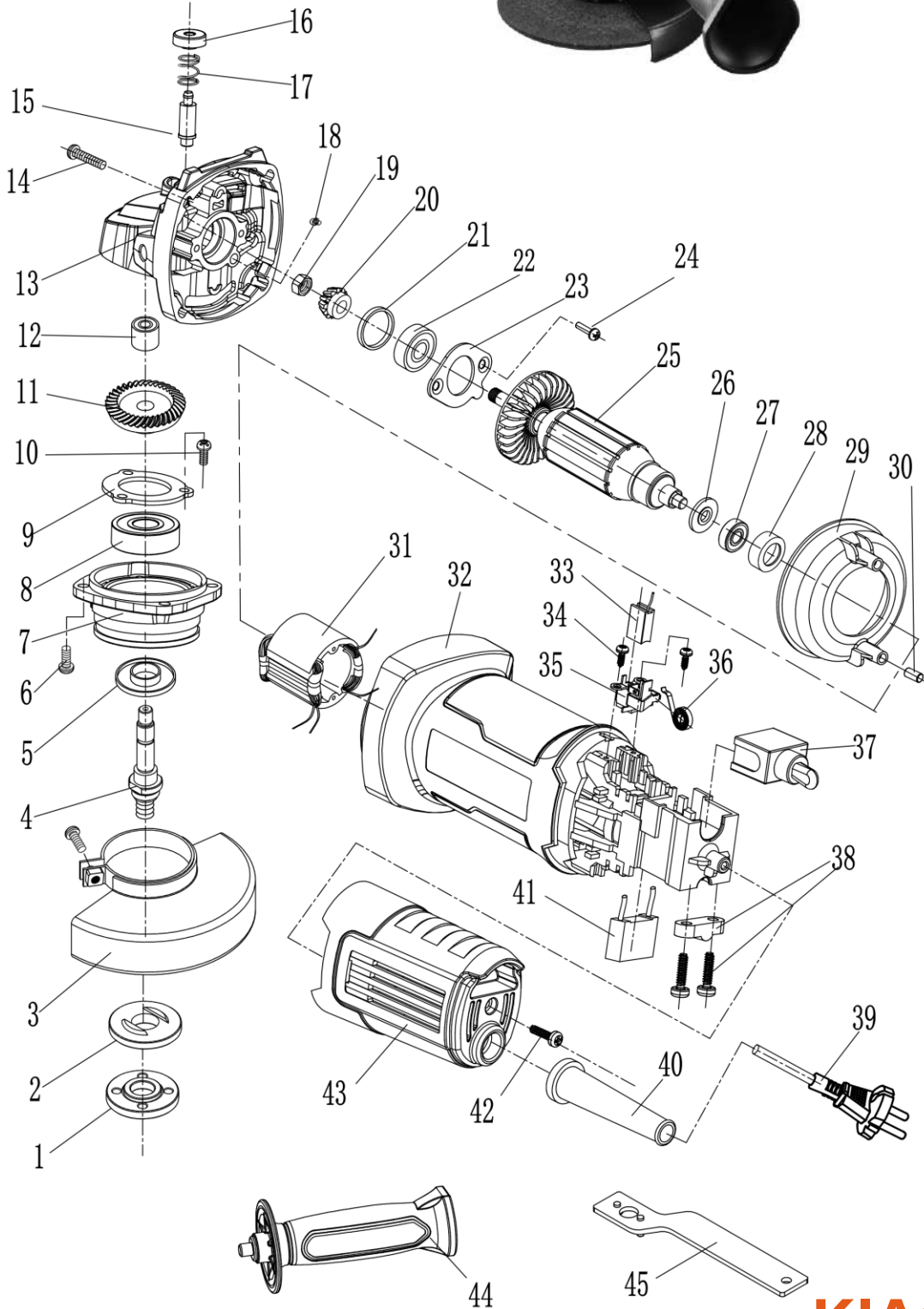




खैतान पावर

کھیتان پاور

KHAIITAN INDUSTRIAL
EXPECT THE BEST



KIAG 4 HD
ANGLE GRINDER

EXPLOSION VIEW

INDUSTRIAL SERIES

| NO. | PARTS NAME | QTY | NO. | PARTS NAME | QTY |
|-----|--------------------|-----|-----|----------------------------|-----|
| 1 | Outer Flange | 1 | 26 | Electric Ring | 1 |
| 2 | Inner Flange | 1 | 27 | Bearing 607 | 1 |
| 3 | Protect Guard | 1 | 28 | 607 Bearing Sleeve | 1 |
| 4 | Spindle | 1 | 29 | Windshield | 1 |
| 5 | Anti-dust Cover | 1 | 30 | Rubber column | 2 |
| 6 | Screw M4X14 | 4 | 31 | Stator Assy | 1 |
| 7 | Front Cover | 1 | 32 | Housing | 1 |
| 8 | Bearing 6201 | 1 | 33 | Carbon Brush | 2 |
| 9 | Bearing Cover 6201 | 1 | 34 | Screw ST3X8 | 4 |
| 10 | Screw M4X10 | 3 | 35 | Brush Holder | 2 |
| 11 | Wheel Gear | 1 | 36 | Electric Spring | 2 |
| 12 | Needle bearing | 1 | 37 | Switch | 1 |
| 13 | Gear Box | 1 | 38 | Cable Clamp(Screw ST4X14F) | 1 |
| 14 | Screw ST4.2X22F | 4 | 39 | Cable and Plug | 1 |
| 15 | Self locking rod | 1 | 40 | Cable Protector | 1 |
| 16 | Self locking cap | 1 | 41 | Capacitor | 1 |
| 17 | Lock Spring | 1 | 42 | Screw ST4.2X12F | 1 |
| 18 | Sponge | 1 | 43 | Rear Cover | 1 |
| 19 | Screw M6X1 | 1 | 44 | Side Handle | 1 |
| 20 | Pinion Gear | 1 | 45 | Spanner | 1 |
| 21 | Rectangular circle | 1 | | | |
| 22 | Bearing 608 | 1 | | | |
| 23 | Head Capsule | 1 | | | |
| 24 | Screw M4X10 | 2 | | | |
| 25 | Rotor Assy | 1 | | | |