

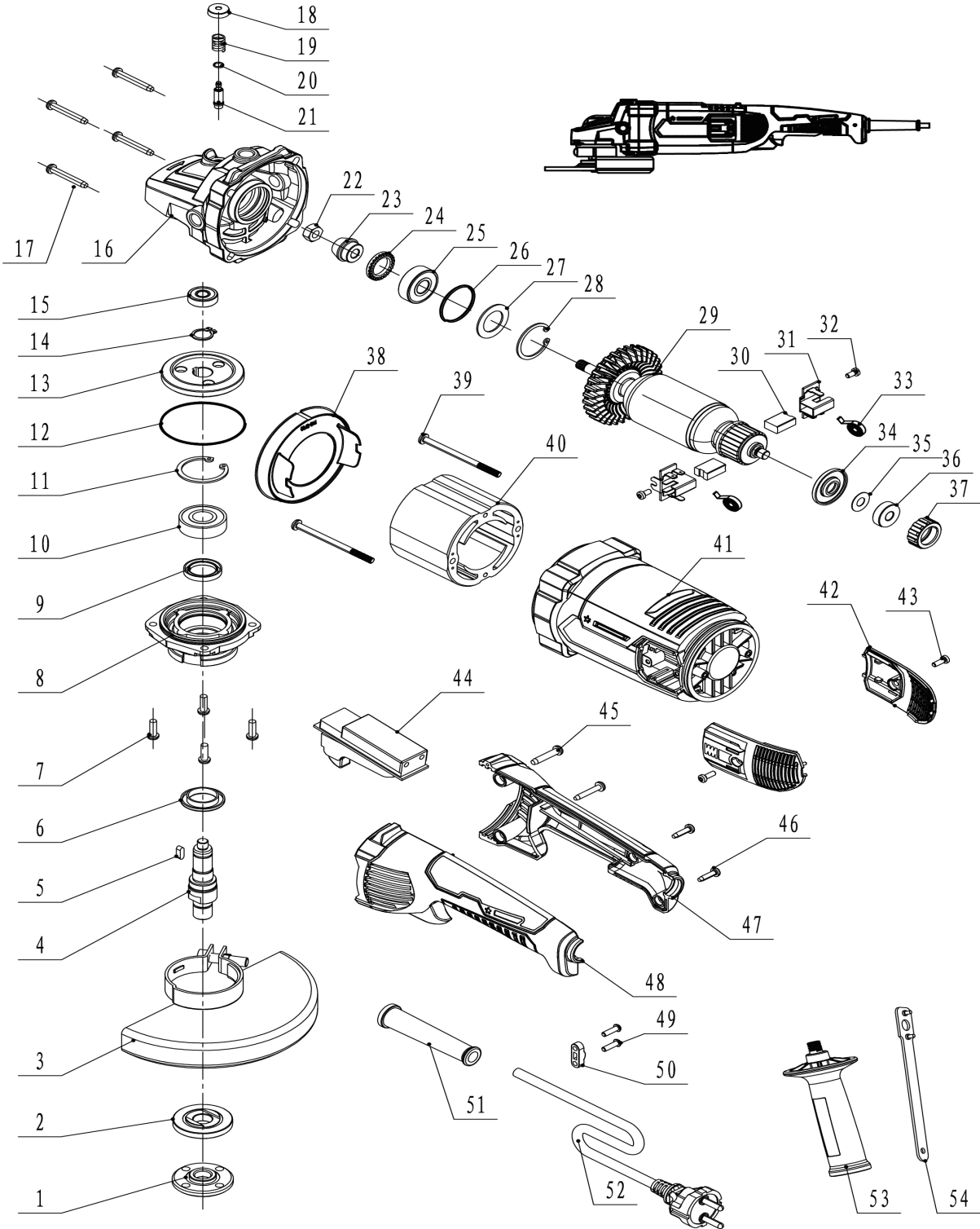


खैतान पावर

کھیتان پاور

**KHAIITAN POWER**

**EXPECT THE BEST**



**KI AG5 HD**  
**ANGLE GRINDER**

**EXPLOSION VIEW**

*Professional Series*



**KHAIITAN POWER**  
**EXPECT THE BEST**



NO.	ITEM	NO.	ITEM
1	Outter flange	28	Circlip for hole Ø32
2	Inner flange	29	Rotor
3	Wheel guard	30	Carbon brush
4	Output shaft	31	Carbon brush holder
5	Flat Key	32	Screw ST4×12
6	Dustproof cover	33	Coil spring
7	Screw M5X16	34	Dustproof ring
8	Front cover	35	Washer Ø18×Ø8.2×0.5
9	Oil seal	36	Bearing 608
10	Bearing 6202	37	Bearing cover
11	Circlip for hole Ø35	38	Windshield
12	O ring Ø57(内径) ×Ø1.5	39	Screw ST5×75
13	Gear	40	Stator
14	Circlip for shaft Ø14	41	Housing
15	Bearing 608	42	Carbon brush cover
16	Gear box	43	Screw ST4×12
17	Screw ST5X35	44	Switch
18	Self locking cap	45	Screw ST4×25
19	Self locking spring	46	Screw ST4×16
20	O ring Ø5.8×Ø1	47	Right handle
21	Self locking pin	48	Left handle
22	Nut M8	49	Screw ST4×14
23	Pinion	50	cable clamp
24	Oil proof ring	51	Cable Cover
25	Bearing 6201	52	Cable
26	O ring Ø31.5 (内径) ×Ø2	53	Wrench
27	Washer Ø32×Ø20.2×1.2	54	Side handle

**KI AG5 HD**  
**ANGLE GRINDER**

**EXPLOSION VIEW**

*Professional Series*