

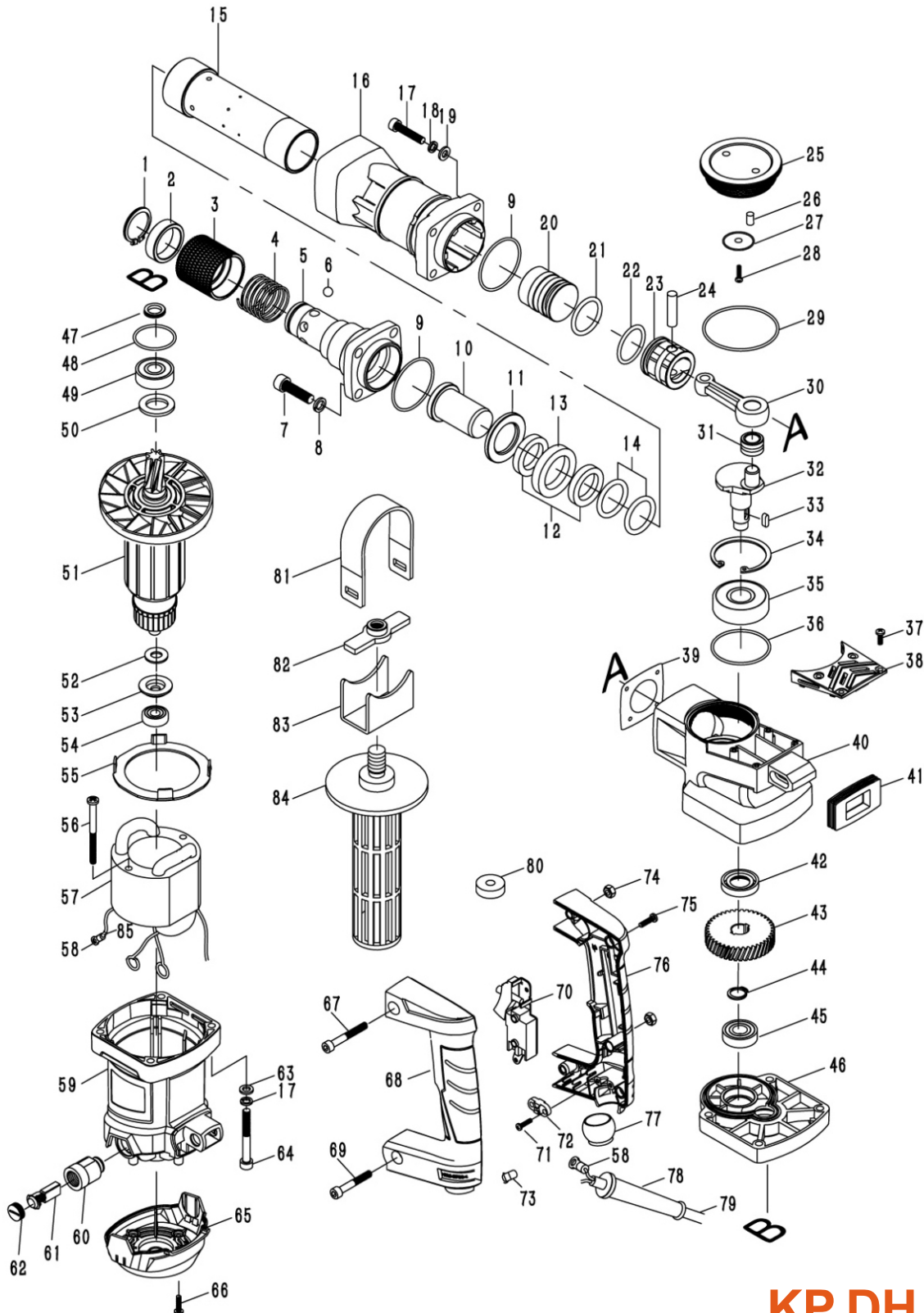


खैतान पावर

کھیتان پاور

**KHAITAN POWER**

EXPECT THE BEST



**KP DH 5 AVT**  
**DEMPLITION HAMMER**

**EXPLOSION VIEW**

*Professional Series*



## SPARE PARTS LIST OF KP DH 5 AVT

No.	Name	QTY	Unit	Remark
1	Elastic ring 28 for shaft	1	pc	
2	fast change sleeve set	1	pc	
3	fast change sleeve	1	pc	
4	fast change sleeve spring	1	pc	
5	Tool holder	1	pc	
6	Steel ball SΦ7.938	6	pc	
7	Hexagon socket screw M8×30	4	pc	
8	Spring pad 8	4	pc	
9	O-ring Φ44xΦ1.9	2	pc	
10	Impact bar	1	pc	
11	Impact stop ring	1	pc	
12	Rubber gasket Φ36.5xΦ26xΦ2.6	2	pc	
13	Large retaining ring gasket Φ37×Φ	1	pc	
14	O-ring Φ 24×Φ4	2	pc	
15	Large cylinder	1	pc	
16	Aluminum front cylinder	1	pc	
17	Hexagon socket screw M6 × 30	4	pc	
18	Spring pad 6	8	pc	
19	Flat pad Φ 11×Φ6×1.5	4	pc	
20	Stricker	1	pc	
21	O-ring Φ 23.2×Φ3.5	1	pc	
22	O-ring Φ 23.5×Φ3.5	1	pc	
23	Piston	1	pc	
24	piston pin Φ8×28	1	pc	
25	Oil cover	1	pc	
26	Wool rope Diameter 8	0.01	meter	
27	Oil cap gasket	0	pc	
28	Cross pan head screw ST4×12	1	pc	
29	O-ring Φ60×Φ2.4	1	pc	
30	connecting rod	1	pc	
31	Needle roller bearing nk1212	0	pc	
32	Eccentric shaft	1	pc	
33	Flat key 4×4×12	2	pc	
34	Elastic ring for hole 47	1	pc	
35	6303 bearing	1	pc	
36	O-ring Φ51.1×Φ47.5×1.8	1	pc	
37	Screw M4 ×10	4	pc	
38	Decorative board	1	pc	
39	Red steel paper pad	1	pc	
40	Gear box	1	pc	
41	Damping pad	1	pc	
42	Skeleton oil seal Φ17×Φ30×6	1	pc	
43	Big gear	1	pc	
44	Elastic ring for shaft 14	1	pc	
45	bearing 6001	1	pc	
46	Middle cover	1	pc	
47	Oil retaining ring	1	pc	
48	O-ring Φ36×Φ32×2	2	pc	
49	6201 bearing	1	pc	
50	Gasket with iron	1	pc	
51	Armature	1	pc	
52	shim Φ8×Φ13×1	1	pc	
53	Dust gasket Φ21.3×Φ8.1×0.8	1	pc	
54	Bearing 608	1	pc	
55	Wind shield	1	pc	
56	Cross pan head screw ST5×60	2	pc	
57	stator	1	pc	
58	Red round buckle 4.2	2	pc	
59	Motor housing	1	pc	
60	Brush grip	2	pc	
61	Carbon brush 6×10×14.5	2	pc	
62	Brush holder cover	2	pc	
63	Flat pad Φ12×Φ6×1	4	pc	
64	Hexagon socket screw M6×50	4	pc	
65	Rear hood	1	pc	
66	Cross pan head screw ST4×14	4	pc	
67	Hexagon socket screw M6×40	1	pc	
68	Switch handle - left	1	pc	
69	Hexagon socket screw M6×45	1	pc	
70	switch	1	pc	
71	Cross pan head screw ST4×16	2	pc	
72	Crimping plate 17mm	1	pc	
73	Terminal cap	1	pc	
74	lock nut M6	2	pc	
75	Cross pan head screw ST4×16	3	pc	
76	Switch handle - right	1	pc	
77	Ball guard sleeve	1	pc	
78	Cord guard	1	pc	
79	Power cord	1	pc	
80	Shock absorber column	1	pc	
81	0810 hoop	1	pc	
82	Crosspiece nut	1	pc	
83	0810 bracket	1	pc	
84	side handle	1	pc	
85	Heat shrinkable tube φ 3.5mm	0.02	meter	